



UNITED BRASS WORKS, INC.

714 S. Main St., Randleman, NC 27317

Tel: 800-334-3035 Fax: 800-498-4696 www.ubw.com



Model 50T Check Valve

Spring Loaded Lift Check

Complies with MSS-SP-80-97



200WSP @ 406° Max

400 WOG

100% Pressure Tested

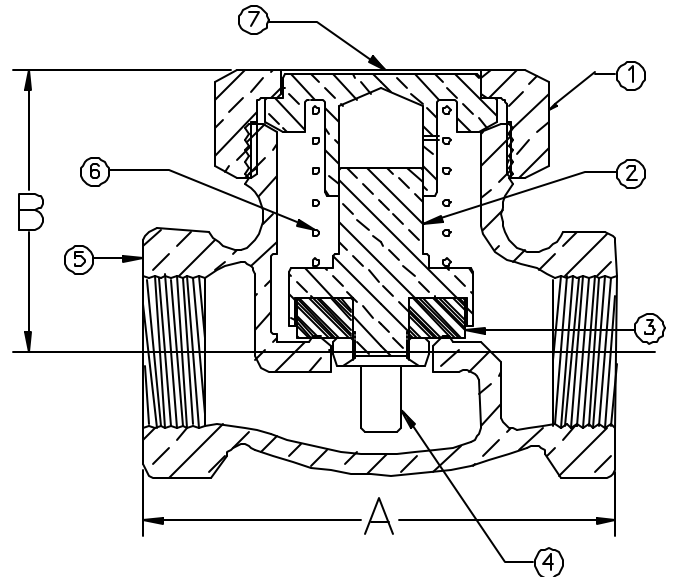
Threaded Ends • PTFE Disc

Integral Seat

Equipped with 50TG PTFE disc for general service, including steam.

MATERIAL LIST

NO.	DESCRIPTION	MATERIAL
1	Bonnet Nut (1/4" - 3/8") Bonnet Nut (1/2" - 2")	Brass Bronze
2	Disc Holder (1/4" - 3/4") Disc Holder (1" - 2")	Brass Bronze
3	Disc	PTFE
4	Disc Holder Nut (1/4" - 1 1/4") Disc Holder Nut (1 1/2" - 2")	Brass Bronze
5	Body	Bronze
6	Spring	Stainless Steel
7	Guide (1/4" - 3/4") Guide (1" - 2")	Brass Bronze



Size	1/4"	3/8"	1/2"	3/4"	1"	1 1/4"	1 1/2"	2"
A	2.19	2.36	2.59	3.17	3.75	4.28	4.78	5.88
B	1.19	1.50	1.88	1.81	2.06	2.38	2.63	3.25
Ship Wgt. (lbs.)	0.56	0.75	1.03	1.61	2.44	3.84	5.20	9.00
Qty. Per Ctn.	12	12	12	6	6	2	2	1